

**Main specification parameter for D11 IDLER GP-TRACK**

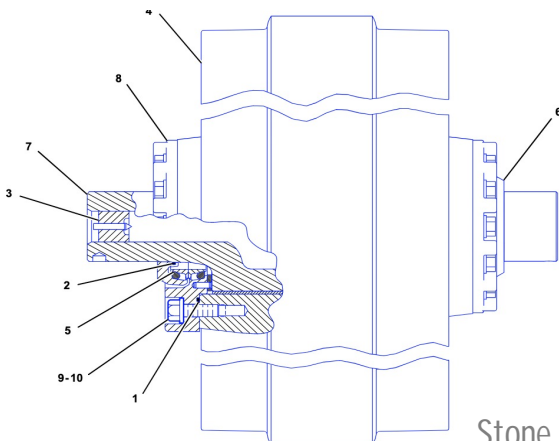
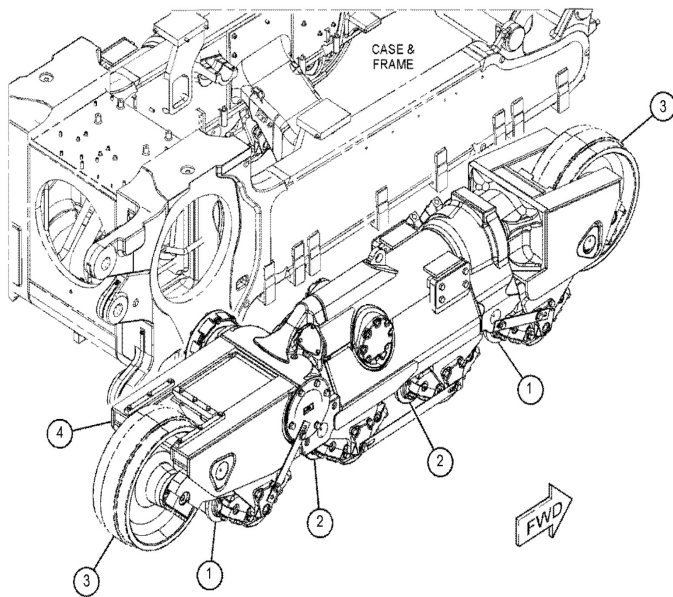
Brand	Model	Product Name	Part Number	Assembly Quantity	Weight
Caterpillar	D11	IDLER GP-TRACK	1871484	2	857kg



**Compatible Equipment Models: 1871484**

D11N	D11R	D11T
------	------	------

**Product Details**



Product Name	IDLER GP-TRACK
Part Number	1871484
Origin	United States
Brand Name	STONE
Model	D11
Price	Negotiable
Packing Details	Standard Export Packing
Delivery Time	0-30 Days
Payment Term	L/C, T/T
Price Term	FOB, CIF, CFR
Supply Capacity	50,000 PCS/Month
Minimum Order Quantity	1 PC
Material	High Quality Steel
Technology	Precision Machining
Surface	Treatment Anti-Corrosion Coating
Quality	Original Factory Standard
Warranty Time	12 Months or 2000 Hours
After-Sales Service	Full Support, Online Service
Color	Standard Caterpillar Yellow or Customizable
Application	Bulldozer
Customizable	including customized materials, surface treatment and specifications

# IDLER GP-TRACK

1871484

CAT SIS 2.0 9XR 关键词

Track-Type Tractor > Track-Type Tractor > D11R > 9XR

仪表盘
零件
维修

**底盘系统** ^

底盘系统总成 v

**惰轮总成** ^

148-3729  
履带引导轮总成  
9XR1-169

129-4033  
履带引导轮盖总成  
9XR1-UP

156-0313  
履带引导轮总成  
9XR1-UP

129-4032  
履带引导轮盖总成  
9XR1-UP

187-1484  
履带引导轮总成  
9XR1-UP

滚轮总成 v

## STONE: Construction machinery parts expert in China



We are committed to providing a variety of parts including bulldozers, excavators and wheel loaders for well-known brands such as Carter and Komatsu. Our product line covers a full range of OEM parts, such as Track Chain, Track Rollers, Sprocket, Excavator Buckets, Blades, Excavator Cylinders, Swing Circles, and various electrical and hydraulic components to ensure that our customers' stringent requirements for quality and performance are met.



Stone (Shanghai) Engineering Machinery Co., Ltd. is a leading supplier of engineering machinery parts, focusing on providing high-quality parts for mining companies. Since its establishment in 2004, we have been based in Shanghai, China, and have built our own brand STONE, becoming a trusted choice in the industry.